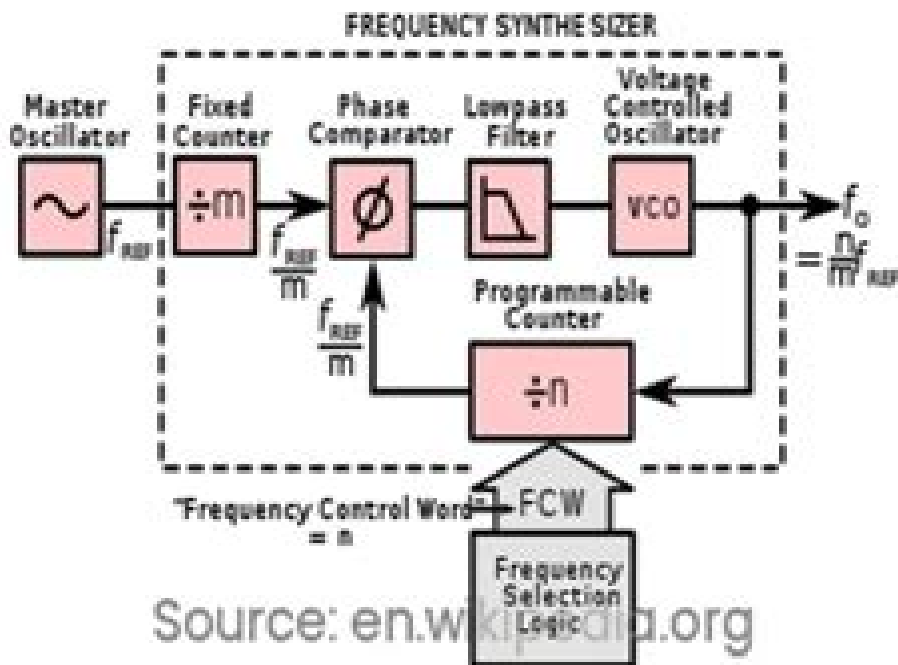


Frequency Synthesizers

- Frequency synthesizers generate a range of frequencies from a single reference and are pivotal in telecommunications, radio, and electronic tests
- Analog synthesizers offer high speed and continuous tuning, but digital versions excel in stability and accuracy
- Digital synthesizers use a digital-to-analog converter and a phase-locked loop for precision
- As wireless technology grows, the demand for advanced frequency synthesizers will rise



Frequency Synthesizers

KJ Lindholm-Leary



Frequency Synthesizers:

Uncover the mysteries within Crafted by is enigmatic creation, Embark on a Mystery with **Frequency Synthesizers** . This downloadable ebook, shrouded in suspense, is available in a PDF format (PDF Size: *). Dive into a world of uncertainty and anticipation. Download now to unravel the secrets hidden within the pages.

<http://industrialmatting.com/files/Resources/HomePages/Gran%20Exodo%20El.pdf>

Table of Contents Frequency Synthesizers

1. Understanding the eBook Frequency Synthesizers
 - The Rise of Digital Reading Frequency Synthesizers
 - Advantages of eBooks Over Traditional Books
2. Identifying Frequency Synthesizers
 - Exploring Different Genres
 - Considering Fiction vs. Non-Fiction
 - Determining Your Reading Goals
3. Choosing the Right eBook Platform
 - Popular eBook Platforms
 - Features to Look for in an Frequency Synthesizers
 - User-Friendly Interface
4. Exploring eBook Recommendations from Frequency Synthesizers
 - Personalized Recommendations
 - Frequency Synthesizers User Reviews and Ratings
 - Frequency Synthesizers and Bestseller Lists
5. Accessing Frequency Synthesizers Free and Paid eBooks
 - Frequency Synthesizers Public Domain eBooks
 - Frequency Synthesizers eBook Subscription Services
 - Frequency Synthesizers Budget-Friendly Options
6. Navigating Frequency Synthesizers eBook Formats

- ePub, PDF, MOBI, and More
- Frequency Synthesizers Compatibility with Devices
- Frequency Synthesizers Enhanced eBook Features
- 7. Enhancing Your Reading Experience
 - Adjustable Fonts and Text Sizes of Frequency Synthesizers
 - Highlighting and Note-Taking Frequency Synthesizers
 - Interactive Elements Frequency Synthesizers
- 8. Staying Engaged with Frequency Synthesizers
 - Joining Online Reading Communities
 - Participating in Virtual Book Clubs
 - Following Authors and Publishers Frequency Synthesizers
- 9. Balancing eBooks and Physical Books Frequency Synthesizers
 - Benefits of a Digital Library
 - Creating a Diverse Reading Collection Frequency Synthesizers
- 10. Overcoming Reading Challenges
 - Dealing with Digital Eye Strain
 - Minimizing Distractions
 - Managing Screen Time
- 11. Cultivating a Reading Routine Frequency Synthesizers
 - Setting Reading Goals Frequency Synthesizers
 - Carving Out Dedicated Reading Time
- 12. Sourcing Reliable Information of Frequency Synthesizers
 - Fact-Checking eBook Content of Frequency Synthesizers
 - Distinguishing Credible Sources
- 13. Promoting Lifelong Learning
 - Utilizing eBooks for Skill Development
 - Exploring Educational eBooks
- 14. Embracing eBook Trends
 - Integration of Multimedia Elements
 - Interactive and Gamified eBooks

Frequency Synthesizers Introduction

Free PDF Books and Manuals for Download: Unlocking Knowledge at Your Fingertips In today's fast-paced digital age, obtaining valuable knowledge has become easier than ever. Thanks to the internet, a vast array of books and manuals are now available for free download in PDF format. Whether you are a student, professional, or simply an avid reader, this treasure trove of downloadable resources offers a wealth of information, conveniently accessible anytime, anywhere. The advent of online libraries and platforms dedicated to sharing knowledge has revolutionized the way we consume information. No longer confined to physical libraries or bookstores, readers can now access an extensive collection of digital books and manuals with just a few clicks. These resources, available in PDF, Microsoft Word, and PowerPoint formats, cater to a wide range of interests, including literature, technology, science, history, and much more. One notable platform where you can explore and download free Frequency Synthesizers PDF books and manuals is the internet's largest free library. Hosted online, this catalog compiles a vast assortment of documents, making it a veritable goldmine of knowledge. With its easy-to-use website interface and customizable PDF generator, this platform offers a user-friendly experience, allowing individuals to effortlessly navigate and access the information they seek. The availability of free PDF books and manuals on this platform demonstrates its commitment to democratizing education and empowering individuals with the tools needed to succeed in their chosen fields. It allows anyone, regardless of their background or financial limitations, to expand their horizons and gain insights from experts in various disciplines. One of the most significant advantages of downloading PDF books and manuals lies in their portability. Unlike physical copies, digital books can be stored and carried on a single device, such as a tablet or smartphone, saving valuable space and weight. This convenience makes it possible for readers to have their entire library at their fingertips, whether they are commuting, traveling, or simply enjoying a lazy afternoon at home. Additionally, digital files are easily searchable, enabling readers to locate specific information within seconds. With a few keystrokes, users can search for keywords, topics, or phrases, making research and finding relevant information a breeze. This efficiency saves time and effort, streamlining the learning process and allowing individuals to focus on extracting the information they need. Furthermore, the availability of free PDF books and manuals fosters a culture of continuous learning. By removing financial barriers, more people can access educational resources and pursue lifelong learning, contributing to personal growth and professional development. This democratization of knowledge promotes intellectual curiosity and empowers individuals to become lifelong learners, promoting progress and innovation in various fields. It is worth noting that while accessing free Frequency Synthesizers PDF books and manuals is convenient and cost-effective, it is vital to respect copyright laws and intellectual property rights. Platforms offering free downloads often operate within legal boundaries, ensuring that the materials they provide are either in the public domain or authorized for distribution. By adhering to copyright laws, users can enjoy the benefits of free access to knowledge while supporting the authors and publishers who

make these resources available. In conclusion, the availability of Frequency Synthesizers free PDF books and manuals for download has revolutionized the way we access and consume knowledge. With just a few clicks, individuals can explore a vast collection of resources across different disciplines, all free of charge. This accessibility empowers individuals to become lifelong learners, contributing to personal growth, professional development, and the advancement of society as a whole. So why not unlock a world of knowledge today? Start exploring the vast sea of free PDF books and manuals waiting to be discovered right at your fingertips.

FAQs About Frequency Synthesizers Books

How do I know which eBook platform is the best for me? Finding the best eBook platform depends on your reading preferences and device compatibility. Research different platforms, read user reviews, and explore their features before making a choice. Are free eBooks of good quality? Yes, many reputable platforms offer high-quality free eBooks, including classics and public domain works. However, make sure to verify the source to ensure the eBook credibility. Can I read eBooks without an eReader? Absolutely! Most eBook platforms offer web-based readers or mobile apps that allow you to read eBooks on your computer, tablet, or smartphone. How do I avoid digital eye strain while reading eBooks? To prevent digital eye strain, take regular breaks, adjust the font size and background color, and ensure proper lighting while reading eBooks. What the advantage of interactive eBooks? Interactive eBooks incorporate multimedia elements, quizzes, and activities, enhancing the reader engagement and providing a more immersive learning experience. Frequency Synthesizers is one of the best book in our library for free trial. We provide copy of Frequency Synthesizers in digital format, so the resources that you find are reliable. There are also many Ebooks of related with Frequency Synthesizers. Where to download Frequency Synthesizers online for free? Are you looking for Frequency Synthesizers PDF? This is definitely going to save you time and cash in something you should think about.

Find Frequency Synthesizers :

gran exodo el

grand mothers poems reminiscences and short stories about the keepers of our traditions

graduate a little roadmap to your dreams

graduation day an anthology of verse &

grammatical roles and relations

grammar in context 1 by elbaum 4th edition audio cdrom program

government of philip augustus the foundations of french royal power in the middle ages

grammar practice activities a practical guide for teachers

government and law

grammar of the german language - second revised edition

grammar of new testament greek volume 1 3ed

graduate programs in the humanities arts and social sciences 2003 bk 2

grande mademoiselle at the court of france 1627-1693

grammar dimensions 1 platinum edition with heinles brief writers handbook

government policies and deforestation in brazils amazon region

Frequency Synthesizers :

Questions and answers on biosimilar ... Sep 27, 2012 — Questions and answers. Questions and answers on biosimilar medicines (similar biological medicinal products). What is a biological medicine? A ... Guidance for Industry guidance document (Questions and Answers on Biosimilar Development and the BPCI Act) and. December 2018 draft guidance document (New and Revised Draft Q&As ... Questions and answers for biological medicinal products 1. How can specification limits be clinically justified for a biosimilar? September 2023. Frequently Asked Questions About Biologic and Biosimilar ... Answer: A biosimilar is a biologic product developed to be highly similar to a previously FDA approved biologic, known as the reference product. A ... Questions and Answers on Biosimilar Development ... Sep 20, 2021 — ... biosimilar and interchangeable products. This final guidance document ... product has the same “strength” as the reference product. FDA ... Biosimilars Frequently Asked Questions What is a biosimilar? · What is a biologic product? · What is the difference between a biosimilar and a generic? · What is Immunogenicity? · What does the approval ... Biosimilars: Questions and Answers on ... Dec 12, 2018 — The Food and Drug Administration (FDA or Agency) is announcing the availability of a final guidance for industry entitled ``Questions and ... Biological and biosimilar medicines - What patients should ... answers to a range of questions on biological and biosimilar medicines. The ... Are biosimilar medicines the same as generic medicines? No. A biosimilar ... How Similar Are Biosimilars? What Do Clinicians Need to ... by C Triplitt · 2017 · Cited by 15 — Biosimilars are not the same as generics; they are similar, but not identical, to their reference drug, meaning that they may have small differences that could ... Biosimilar Drugs: Your Questions Answered Is a biosimilar comparable to the original biologic drug? Yes. It is not an ... As manufacturers compete with each other to make similar products at lower ... Operator's manual for Continental R-670 Engine Thinnest, Thinner, Thin, MediumThin, Medium, MediumStrong, Strong, Stronger, Strongest.

Straight, Dotted, Dashed, Dotted & Dashed. Continental W-670 Overhaul This publication comprises the Operating,. Service, and Major Overhaul Instructions for the W670-6A, 6N, K, M, 16, 17, 23 and 24 and. R670-11A Aircraft Engines ... Aviation Library - R-670 Overhaul tool catalog for all Continental R670 and W670 Series Engines · T.O. 02-40AA-1 Operation Instructions R-670-4,-5 and -11 Aircraft Engines ... Continental R-670 - Engines Master Interchangeable Parts List & Requisitioning Guide for O-170-3, R-670-4, R-670-5, R-670-6, and R-670-11 Engines. Document Part Number: T.O. No. W670 Radial Engine Parts Manual.pdf R-670 Series Overhaul & Illustrated Parts Manual. 39.50. 15. Page 18. CONTINENTAL W-670 NUMERICAL PRICE LIST continued. MAGNETOS & PARTS. SF7RN-1. VMN7 DF. VMN7 ... Continental R-670 - Blueprints, Drawings & Documents R-670 MANUALS AND RESOURCES AVAILABLE WITH MEMBERSHIP (26 documents) ; Overhaul Instructions Catalog for all Continental R670 and W670 series Engines. 1-March- ... Continental R-670 The Continental R-670 (factory designation W670) was a seven-cylinder four-stroke radial aircraft engine produced by Continental displacing 668 cubic inches ... Continental R-670 Radial Engine Aircraft Manuals Continental R-670 Radial Engine Aircraft Manuals List of Manuals included in this Offer Continental R-670 Operator' s Manual (Includes Installation, ... Continental W-670 Overhaul & Parts Manual Continental W-670 Overhaul & Parts Manual ; Item Number. 195595510660 ; Brand. Continental ; Compatible Make. Avionics ; Accurate description. 4.9 ; Reasonable ... Continental W-670 Aircraft Engine Operating and ... Continental W-670 Aircraft Engine Operating and Maintenance Manual (English Language). Disclaimer: This item is sold for historical and reference Only. Dodge Neon Repair: Service and Maintenance Cost The annual maintenance cost of a Dodge Neon is \$377. Repair and maintenance costs vary depending on age, mileage, location and shop. Most Common Dodge Neon ... DODGE NEON 2000-2003 (Hayne's Automotive Repair ... A copy that has been read, but remains in clean condition. All pages are intact, and the cover is intact. The spine and cover may show signs of wear. Repair Manuals & Literature for Dodge Neon Get the best deals on Repair Manuals & Literature for Dodge Neon when you shop the largest online selection at eBay.com. Free shipping on many items ... Dodge Neon Repair Near You By Top-Rated Mechanics Book highly rated Dodge Neon mechanics in your area. See maintenance schedules and costs. Get instant quotes for Dodge Neon repair and maintenance services. Dodge Neon Repair Support Questions · Ignition will not turn! · Horn location and. Replacement · My speedometer dont work at all · replace heater core how many hours. 2004 Dodge Neon Repair Pricing & Cost Estimates See the Blue Book Fair Repair Price Range for 2004 Dodge Neon common auto repairs near you. We use 90+ years of pricing know-how to show you what you should ... Dodge Neon Automotive Repair Manual - AbeBooks Title: Dodge Neon Automotive Repair Manual ; Publisher: Haynes Manuals Inc ; Publication Date: 2007 ; Binding: Soft cover ; Condition: New. 2000 Dodge Neon Rebuild Part 5 - YouTube Fuel Pump Dodge Neon diagnostics - YouTube