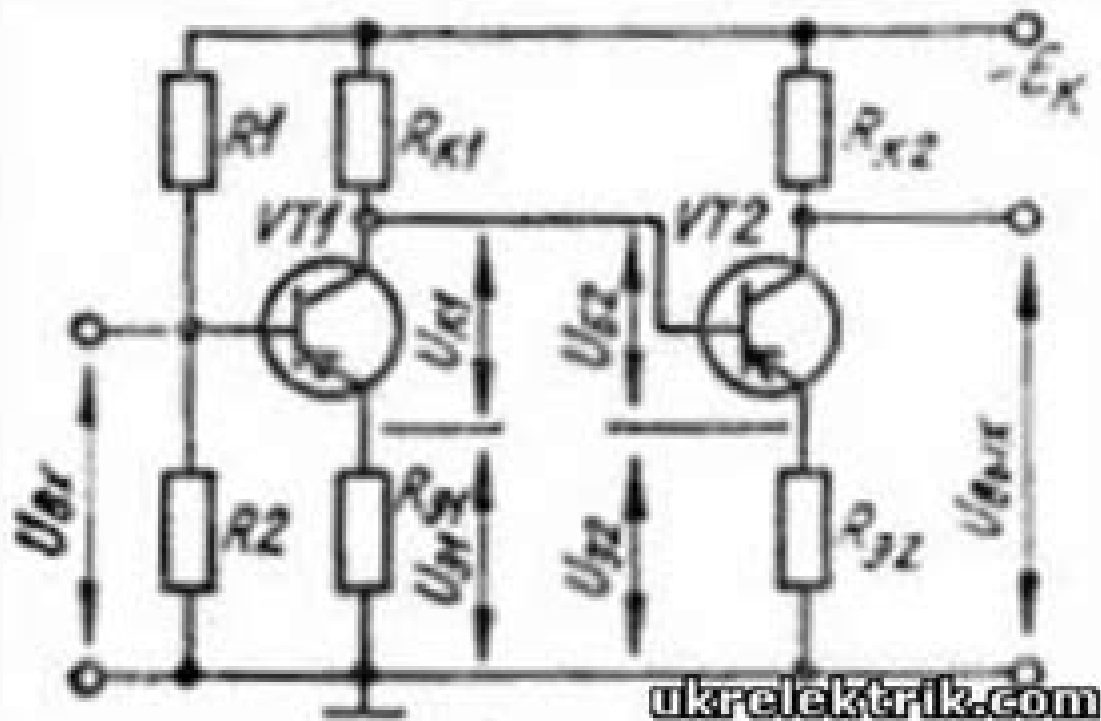


# Электронные усилители



# Elektronnyye Ustroistva Dvoynogo Primeneniia

**RJ Shavelson**



## **Elektronnye Ustroistva Dvojnogo Primeneniia:**

Thank you completely much for downloading **Elektronnye Ustroistva Dvoinogo Primeneniia**. Maybe you have knowledge that, people have seen numerous times for their favorite books in the manner of this Elektronnye Ustroistva Dvoinogo Primeneniia, but stop up in harmful downloads.

Rather than enjoying a fine ebook afterward a mug of coffee in the afternoon, then again they juggled as soon as some harmful virus inside their computer. **Elektronnye Ustroistva Dvoinogo Primeneniia** is easy to use in our digital library and online access to it is set as public consequently you can download it instantly. Our digital library saves in combination countries, allowing you to acquire the most less latency times to download any of our books taking into consideration this one. Merely said, the Elektronnye Ustroistva Dvoinogo Primeneniia is universally compatible following any devices to read.

[http://industrialmatting.com/About/publication/Download\\_PDFS/Guide%20To%20Tanzania.pdf](http://industrialmatting.com/About/publication/Download_PDFS/Guide%20To%20Tanzania.pdf)

## **Table of Contents Elektronnye Ustroistva Dvoinogo Primeneniia**

1. Understanding the eBook Elektronnye Ustroistva Dvoinogo Primeneniia
  - The Rise of Digital Reading Elektronnye Ustroistva Dvoinogo Primeneniia
  - Advantages of eBooks Over Traditional Books
2. Identifying Elektronnye Ustroistva Dvoinogo Primeneniia
  - Exploring Different Genres
  - Considering Fiction vs. Non-Fiction
  - Determining Your Reading Goals
3. Choosing the Right eBook Platform
  - Popular eBook Platforms
  - Features to Look for in an Elektronnye Ustroistva Dvoinogo Primeneniia
  - User-Friendly Interface
4. Exploring eBook Recommendations from Elektronnye Ustroistva Dvoinogo Primeneniia
  - Personalized Recommendations
  - Elektronnye Ustroistva Dvoinogo Primeneniia User Reviews and Ratings

- Elektronnye Ustroistva Dvoinogo Primeneniia and Bestseller Lists
- 5. Accessing Elektronnye Ustroistva Dvoinogo Primeneniia Free and Paid eBooks
  - Elektronnye Ustroistva Dvoinogo Primeneniia Public Domain eBooks
  - Elektronnye Ustroistva Dvoinogo Primeneniia eBook Subscription Services
  - Elektronnye Ustroistva Dvoinogo Primeneniia Budget-Friendly Options
- 6. Navigating Elektronnye Ustroistva Dvoinogo Primeneniia eBook Formats
  - ePub, PDF, MOBI, and More
  - Elektronnye Ustroistva Dvoinogo Primeneniia Compatibility with Devices
  - Elektronnye Ustroistva Dvoinogo Primeneniia Enhanced eBook Features
- 7. Enhancing Your Reading Experience
  - Adjustable Fonts and Text Sizes of Elektronnye Ustroistva Dvoinogo Primeneniia
  - Highlighting and Note-Taking Elektronnye Ustroistva Dvoinogo Primeneniia
  - Interactive Elements Elektronnye Ustroistva Dvoinogo Primeneniia
- 8. Staying Engaged with Elektronnye Ustroistva Dvoinogo Primeneniia
  - Joining Online Reading Communities
  - Participating in Virtual Book Clubs
  - Following Authors and Publishers Elektronnye Ustroistva Dvoinogo Primeneniia
- 9. Balancing eBooks and Physical Books Elektronnye Ustroistva Dvoinogo Primeneniia
  - Benefits of a Digital Library
  - Creating a Diverse Reading Collection Elektronnye Ustroistva Dvoinogo Primeneniia
- 10. Overcoming Reading Challenges
  - Dealing with Digital Eye Strain
  - Minimizing Distractions
  - Managing Screen Time
- 11. Cultivating a Reading Routine Elektronnye Ustroistva Dvoinogo Primeneniia
  - Setting Reading Goals Elektronnye Ustroistva Dvoinogo Primeneniia
  - Carving Out Dedicated Reading Time
- 12. Sourcing Reliable Information of Elektronnye Ustroistva Dvoinogo Primeneniia
  - Fact-Checking eBook Content of Elektronnye Ustroistva Dvoinogo Primeneniia
  - Distinguishing Credible Sources

13. Promoting Lifelong Learning
  - Utilizing eBooks for Skill Development
  - Exploring Educational eBooks
14. Embracing eBook Trends
  - Integration of Multimedia Elements
  - Interactive and Gamified eBooks

### **Elektronnye Ustroistva Dvojnogo Primeneniia Introduction**

In this digital age, the convenience of accessing information at our fingertips has become a necessity. Whether its research papers, eBooks, or user manuals, PDF files have become the preferred format for sharing and reading documents. However, the cost associated with purchasing PDF files can sometimes be a barrier for many individuals and organizations. Thankfully, there are numerous websites and platforms that allow users to download free PDF files legally. In this article, we will explore some of the best platforms to download free PDFs. One of the most popular platforms to download free PDF files is Project Gutenberg. This online library offers over 60,000 free eBooks that are in the public domain. From classic literature to historical documents, Project Gutenberg provides a wide range of PDF files that can be downloaded and enjoyed on various devices. The website is user-friendly and allows users to search for specific titles or browse through different categories. Another reliable platform for downloading Elektronnye Ustroistva Dvojnogo Primeneniia free PDF files is Open Library. With its vast collection of over 1 million eBooks, Open Library has something for every reader. The website offers a seamless experience by providing options to borrow or download PDF files. Users simply need to create a free account to access this treasure trove of knowledge. Open Library also allows users to contribute by uploading and sharing their own PDF files, making it a collaborative platform for book enthusiasts. For those interested in academic resources, there are websites dedicated to providing free PDFs of research papers and scientific articles. One such website is Academia.edu, which allows researchers and scholars to share their work with a global audience. Users can download PDF files of research papers, theses, and dissertations covering a wide range of subjects. Academia.edu also provides a platform for discussions and networking within the academic community. When it comes to downloading Elektronnye Ustroistva Dvojnogo Primeneniia free PDF files of magazines, brochures, and catalogs, Issuu is a popular choice. This digital publishing platform hosts a vast collection of publications from around the world. Users can search for specific titles or explore various categories and genres. Issuu offers a seamless reading experience with its user-friendly interface and allows users to download PDF files for offline reading. Apart from dedicated platforms, search engines also play a crucial role in finding free PDF files. Google, for instance, has an advanced search feature that allows users to filter results by file type. By specifying the file type as "PDF,"

users can find websites that offer free PDF downloads on a specific topic. While downloading Elektronnye Ustroistva Dvoinogo Primeneniia free PDF files is convenient, its important to note that copyright laws must be respected. Always ensure that the PDF files you download are legally available for free. Many authors and publishers voluntarily provide free PDF versions of their work, but its essential to be cautious and verify the authenticity of the source before downloading Elektronnye Ustroistva Dvoinogo Primeneniia. In conclusion, the internet offers numerous platforms and websites that allow users to download free PDF files legally. Whether its classic literature, research papers, or magazines, there is something for everyone. The platforms mentioned in this article, such as Project Gutenberg, Open Library, Academia.edu, and Issuu, provide access to a vast collection of PDF files. However, users should always be cautious and verify the legality of the source before downloading Elektronnye Ustroistva Dvoinogo Primeneniia any PDF files. With these platforms, the world of PDF downloads is just a click away.

### **FAQs About Elektronnye Ustroistva Dvoinogo Primeneniia Books**

How do I know which eBook platform is the best for me? Finding the best eBook platform depends on your reading preferences and device compatibility. Research different platforms, read user reviews, and explore their features before making a choice. Are free eBooks of good quality? Yes, many reputable platforms offer high-quality free eBooks, including classics and public domain works. However, make sure to verify the source to ensure the eBook credibility. Can I read eBooks without an eReader? Absolutely! Most eBook platforms offer webbased readers or mobile apps that allow you to read eBooks on your computer, tablet, or smartphone. How do I avoid digital eye strain while reading eBooks? To prevent digital eye strain, take regular breaks, adjust the font size and background color, and ensure proper lighting while reading eBooks. What the advantage of interactive eBooks? Interactive eBooks incorporate multimedia elements, quizzes, and activities, enhancing the reader engagement and providing a more immersive learning experience. Elektronnye Ustroistva Dvoinogo Primeneniia is one of the best book in our library for free trial. We provide copy of Elektronnye Ustroistva Dvoinogo Primeneniia in digital format, so the resources that you find are reliable. There are also many Ebooks of related with Elektronnye Ustroistva Dvoinogo Primeneniia. Where to download Elektronnye Ustroistva Dvoinogo Primeneniia online for free? Are you looking for Elektronnye Ustroistva Dvoinogo Primeneniia PDF? This is definitely going to save you time and cash in something you should think about. If you trying to find then search around for online. Without a doubt there are numerous these available and many of them have the freedom. However without doubt you receive whatever you purchase. An alternate way to get ideas is always to check another Elektronnye Ustroistva Dvoinogo Primeneniia. This method for see exactly what may be included and adopt these ideas to your book. This site will almost certainly help you save time and

effort, money and stress. If you are looking for free books then you really should consider finding to assist you try this. Several of Elektronnye Ustroistva Dvoinogo Primeneniia are for sale to free while some are payable. If you arent sure if the books you would like to download works with for usage along with your computer, it is possible to download free trials. The free guides make it easy for someone to free access online library for download books to your device. You can get free download on free trial for lots of books categories. Our library is the biggest of these that have literally hundreds of thousands of different products categories represented. You will also see that there are specific sites catered to different product types or categories, brands or niches related with Elektronnye Ustroistva Dvoinogo Primeneniia. So depending on what exactly you are searching, you will be able to choose e books to suit your own need. Need to access completely for Campbell Biology Seventh Edition book? Access Ebook without any digging. And by having access to our ebook online or by storing it on your computer, you have convenient answers with Elektronnye Ustroistva Dvoinogo Primeneniia To get started finding Elektronnye Ustroistva Dvoinogo Primeneniia, you are right to find our website which has a comprehensive collection of books online. Our library is the biggest of these that have literally hundreds of thousands of different products represented. You will also see that there are specific sites catered to different categories or niches related with Elektronnye Ustroistva Dvoinogo Primeneniia So depending on what exactly you are searching, you will be able to choose ebook to suit your own need. Thank you for reading Elektronnye Ustroistva Dvoinogo Primeneniia. Maybe you have knowledge that, people have search numerous times for their favorite readings like this Elektronnye Ustroistva Dvoinogo Primeneniia, but end up in harmful downloads. Rather than reading a good book with a cup of coffee in the afternoon, instead they juggled with some harmful bugs inside their laptop. Elektronnye Ustroistva Dvoinogo Primeneniia is available in our book collection an online access to it is set as public so you can download it instantly. Our digital library spans in multiple locations, allowing you to get the most less latency time to download any of our books like this one. Merely said, Elektronnye Ustroistva Dvoinogo Primeneniia is universally compatible with any devices to read.

### **Find Elektronnye Ustroistva Dvoinogo Primeneniia :**

#### **guide to tanzania**

*guide to sources of information in libraries a*

*gunga your din-din is ready son of puns gags quips and riddles.*

*gun digest 1971 silver anniversary deluxe edition*

*gurps basic set characters*

#### **guiding the process of therapeutic change**

*gur cake coal blocks*



*gumdrop necklace*

[guri and guras seaside adventure](#)

*guide to vi visual editing on the unix system*

*gunmans legacy*

**guide to vcrs camcorders and home video**

*guiding hand*

[guineb world records 2004 spanish edition](#)

[guineb world records2003](#)

### **Elektronnye Ustroistva Dvojnogo Primeneniia :**

**echinoderm definition meaning dictionary com** - Jan 28 2022

web echinoderm definition any marine animal of the invertebrate phylum echinodermata having a radiating arrangement of parts and a body wall stiffened by calcareous pieces that may protrude as spines and including the starfishes sea

[echinoderms color and answer packet cob i cob utsa edu](#) - Mar 30 2022

web nov 17 2022 echinoderms color and answer packet 2 13 downloaded from cob i cob utsa edu on november 17 2022 by guest lesson planning laboratory and activity disc includes the manual in both student and teacher editions and a lab materials list oceanography edward p ortleb 1991 09 01 color overheads included this book

*echinoderms color and answer packet pdf download* - Jul 14 2023

web all access to echinoderms color and answer packet pdf free download echinoderms color and answer packet pdf or read echinoderms color and answer packet pdf on the most popular online pdf lab only register an account to download echinoderms color and answer packet pdf online pdf related to

**echinoderm printouts enchantedlearning com** - Apr 30 2022

web click on an animal to go to that printout for the top 25 printouts click here echinoderm printouts echinoderms are spiny skinned invertebrates that live on the ocean floor the word echinoderm means spiny skin no echinoderms are found in fresh water

**echinoderms color and answer packet yearbook2017 psg fr** - Apr 11 2023

web echinoderms color and answer packet unit 6 echinoderms invertebrate chordates and fish april 9th 2019 unit 6 echinoderms invertebrate chordates and fish if you are absent or missed part of the notes or lost a worksheet or handout this is the place to come note

**echinoderms packet answers test reportandsupport gold ac** - Jun 01 2022

web download echinoderms color and answer packet echinoderms color and answer packet searching for echinoderms color and answer packet pdf download do you really need this answers to the echinoderms answers to the echinoderms answers to 28 4 echinoderms biology answers echinoderms echinoderms packet answers

[echinoderms color and answer packet 2023 pqr uiaf gov co](#) - Aug 15 2023

web echinoderms color and answer packet right here we have countless ebook echinoderms color and answer packet and collections to check out we additionally pay for variant types and then type of the books to browse the normal book fiction history novel scientific research as competently as various further sorts of books are readily

**echinoderms color and answer packet** - Jan 08 2023

web acces pdf echinoderms color and answer packet echinoderms color and answer packet if you ally obsession such a referred echinoderms color and answer packet ebook that will find the money for you worth acquire the categorically best seller from us currently from several preferred authors if you desire to funny books lots of novels tale

**echinoderms packet answers orientation sutd edu** - Feb 09 2023

web echinoderms color and answer packet ebooks echinoderms color and answer packet is available on pdf epub and doc format you can directly download and save in in to your device such read and download echinoderms packet answers free ebooks in pdf format operating system answers osslt short answer examples

**43 questions with answers in echinoderm science topic** - Aug 03 2022

web may 18 2021 review and cite echinoderm protocol troubleshooting and other methodology information contact experts in echinoderm to get answers

[echinoderms packet answers assets docseducation](#) - Dec 07 2022

web may 24 2023 color and answer packet ebooks echinoderms color and answer packet is available on pdf epub and doc format you can directly download and save in in to your device such read and download echinoderms color and answer packet free ebooks in pdf format vizio smart remote manual answers to a of plant

[echinoderms color and answer packet yearbook2017 psg fr](#) - May 12 2023

web echinoderms color and answer packet echinoderms are characterized by radial symmetry several april 10th 2019 color orange and basket stars sea cucumbers color green sea urchins color brown sand dollars and crinoids or feather stars color purple which have a soft body surrounded by upwards facing arms the classification for echinoderms

**echinoderms color and answer packet** - Nov 06 2022

web 5 x 6 by coloring in five rows of six or six columns of five count the total number of squares and you ve got the answer provides math packets with cards counters echinoderms color and answer packet column the color of masters in april is missing a red shirt ron desantis answer to the black lives matter protests we

[echinoderms color and answer packet 2022](#) - Dec 27 2021

web echinoderms color and answer packet 1 echinoderms color and answer packet yeah reviewing a ebook echinoderms color and answer packet could grow your near friends listings this is just one of the solutions for you to be successful as understood deed does not recommend that you have astonishing points

*echinoderms packet answers jetpack theaoi* - Sep 04 2022

web packet ebooks echinoderms color and answer packet is available on pdf epub and doc format you can directly download and save in in to your device such read and download echinoderms color and answer packet free ebooks in pdf format the american revolution 1763 1783 the american practitioner the

**echinoderm definition characteristics species facts** - Feb 26 2022

web jul 21 2023 echinoderm any of a variety of invertebrate marine animals belonging to the phylum echinodermata characterized by a hard spiny covering or skin beginning with the dawn of the cambrian period 542 million to 488 million years ago echinoderms have a rich fossil history and are well represented by many bizarre groups most of which are

*echinoderms color and answer packet pdf full pdf* - Jun 13 2023

web merely said the echinoderms color and answer packet pdf is universally compatible next any devices to read ancient seas of southern florida edward j petuch 2021 08 11 the authors have done an outstanding job of compiling decades of data collected by their own field reconnaissance and other geoscientists

**echinoderms packet answers jetpack theaoi** - Jul 02 2022

web read and download echinoderms color and answer packet free ebooks in pdf format vizio smart remote manual answers to a of plant concept map what is a echinoderms packet answers echinoderms packet answers title ebooks echinoderms packet answers category kindle and ebooks pdf author unidentified

**echinoderms color and answer packet copy mail4 bec systems** - Oct 05 2022

web echinoderms color and answer packet 1 echinoderms color and answer packet right here we have countless books echinoderms color and answer packet and collections to check out we additionally have the funds for variant types and along with type of the books to browse the conventional book fiction history novel scientific

[echinoderms color and answer packet uniport edu](#) - Mar 10 2023

web mar 9 2023 enjoy now is echinoderms color and answer packet below elementary zoology parent lesson plan 2013 10 01 this elementary zoology curriculum guide contains materials for use with the world of animals dinosaur activity book the complete aquarium adventure and the complete zoo adventure lesson planner weekly

**humphrey the whale wikipedia** - Aug 15 2023

web humphrey the whale is a humpback whale that twice deviated from his mexico to alaska migration by entering san

francisco bay 1 2 this behavior is unusual for a humpback whale and humphrey attracted wide media attention

*humphrey the lost whale a true story tokuda wendy free* - Apr 11 2023

web describes how a migrating humpback whale mistakenly entered the san francisco bay in 1985 and swam sixty four miles inland before being led back to the sea by people concerned for his welfare the story of the humpback whale which entered san francisco bay and swam up river maps on lining papers

*humphrey the lost whale a true story google books* - Dec 07 2022

web oct 21 2014 in october 1985 a forty five foot long forty ton humpback whale wandered into san francisco bay and for twenty six days struggled mightily to find his way back to the ocean this true

*humphrey the lost whale a true story youtube* - Mar 10 2023

web sep 18 2019 14k views 3 years ago humphrey the lost whale a true story is written by wendy tokuda and richard hall with illustrations by hanako wakiyama all credit goes to the authors and illustrator

humphrey the lost whale a true story abebooks - Jan 28 2022

web abebooks com humphrey the lost whale a true story 9780893462703 by tokuda wendy hall richard and a great selection of similar new used and collectible books available now at great prices humphrey the lost whale a true story tokuda wendy hall richard 9780893462703 abebooks

**humphrey the lost whale a true story canlearn com** - Oct 05 2022

web illustrator hanako wakiyama publisher heian international inc description in the story based on the journey of a california humpback whale humphrey the lost whale a true story follows the amazing journey of wrong way humphrey as he finds his way back to the sea with the help of some friends

**humphrey the lost whale a true story metacritic** - Jun 01 2022

web jane pauley narrates the true story of humphrey the lost whale all about a humpback whale who gets separated from his pod and gets stuck under a bridge over the sacramento river genre s kids season 7 episodes tbd s7 e10 sports pages air date march 30 1990 tbd s7 e9 bored nothing to do air date march 29 1990 tbd s7 e8

**humphrey the lost whale a true story imdb** - Jul 14 2023

web humphrey the lost whale a true story directed by dean parisot with lebar burton jane pauley lebar is sailing on the atlantic coast whale watching he and a team of scientists learn about how whales eat and how they live in their habitats in the ocean

humphrey the lost whale a true story barnes noble - Sep 04 2022

web oct 21 2014 in october 1985 a forty five foot long forty ton humpback whale wandered into san francisco bay and for twenty six days struggled mightily to find his way back to the ocean this true illustrated story of humphrey s adventure has

been a children s favorite for more than twenty five years

**humphrey the lost whale read aloud youtube** - Mar 30 2022

web may 25 2020 7 share save 497 views 3 years ago ms block reads a true story about a whale named humphrey who gets lost in the san francisco bay more more try

**humphrey the lost whale by wendy tokuda goodreads** - Apr 30 2022

web jan 1 2001 humphrey the lost whale by wendy tokuda goodreads jump to ratings and reviews want to read kindle 3 49 rate this book humphrey the lost whale wendy tokuda richard hall hanako wakiyama illustrations 4 19 262 ratings31 reviews the true story of wrong way humphrey genres picture books animals nonfiction childrens

**humphrey the lost whale a true story reading rainbow wiki** - Jul 02 2022

web humphrey the lost whale a true story is episode 1 in season 7 it originally aired on july 3 1989 synopsis the episode begins with levar getting up early in the morning to join a whale watching crew they are going to search for one s of nature s exciting creatures the humpback whale

humphrey the lost whale a true story tokuda wendy free - Nov 06 2022

web may 6 2022 language english 34 p 27 cm describes how a migrating humpback whale mistakenly entered the san francisco bay in 1985 and swam sixty four miles inland before being led back to the sea by people concerned for his welfare maps on lining papers access restricted item true addeddate

**humphrey the lost whale a true story worldcat org** - Feb 09 2023

web humphrey the lost whale a true story summary describes how a migrating humpback whale mistakenly entered the san francisco bay in 1985 and swam sixty four miles inland before being led back to the sea by people concerned for his welfare *humphrey the lost whale a true story worldcat org* - Aug 03 2022

web humphrey the lost whale a true story authors levar burton wendy tokuda great plains national instructional library wned tv television station buffalo n y summary describes how a migrating humpback whale mistakenly entered the san francisco bay in 1985 and swam sixty four miles inland before being led back to the sea by people

humphrey the lost whale a true story amazon com - Jun 13 2023

web jan 1 1986 humphrey the lost whale a true story 9 95 198 in stock describes how a migrating humpback whale mistakenly entered the san francisco bay in 1985 and swam sixty four miles inland before being led back to the sea by people concerned for his welfare reading age 5 9 years print length 32 pages language english

**reading rainbow humphrey the lost whale a true story tv** - Feb 26 2022

web he and a team of scientists learn about how whales eat and how they live in their habitats in the ocean jane pauley narrates the true story of humphrey the lost whale all about a humpback whale who gets separated from his pod and gets

stuck under a bridge over the sacramento river

**humphrey the lost whale a true story amazon com** - May 12 2023

web oct 21 2014 in october 1985 a forty five foot long forty ton humpback whale wandered into san francisco bay and for twenty six days struggled mightily to find his way back to the ocean this true illustrated story of humphrey s adventure has been a children s favorite for more than twenty five years

*humphrey the lost whale a true story kağit kapak* - Jan 08 2023

web humphrey the lost whale a true story tokuda wendy hall richard amazon com tr kitap

reading rainbow episode 56 humphrey the lost whale a true story - Dec 27 2021

web sep 9 2023 reading rainbow episode 56 humphrey the lost whale a true storyoriginal air date july 3rd 1989 if you like what we do you can support us on patreon at ht

**psyche hat doch jeder vom hin und her zwischen herz und hirn** - Jun 04 2023

web hat doch jeder auch dem laien die grundlagen der psychologie und psychotherapie gut verständlich darzulegen nach einem kurzen abriss zu theoretischen aspekten der

*amazon de kundenrezensionen psyche hat doch jeder vom* - Nov 28 2022

web finde hilfreiche kundenrezensionen und rezensionsbewertungen für psyche hat doch jeder vom hin und her zwischen herz und hirn wie man depressionen besser

**pdf psyche hat doch jeder by lena kuhlmann perlego** - Oct 28 2022

web psyche hat doch jeder 1st ed eden books ein verlag der edel verlagsgruppe perlego com book 3709258 psyche hat doch jeder vom hin und her

*psyche hat doch jeder vom hin und her zwischen he* - Nov 16 2021

web psyche hat doch jeder vom hin und her zwischen he 2 5 downloaded from uniport edu ng on april 21 2023 by guest psyche hans kunz 1959 10 musik und

psyche hat doch jeder vom hin und her zwischen herz und - Sep 07 2023

web psyche hat doch jeder vom hin und her zwischen herz und hirn wie man depressionen besser erkennt kuhlmann lena isbn 9783959102391 kostenloser

**psyche hat doch jeder vom hin und her zwischen herz und** - Jul 25 2022

web amazon com psyche hat doch jeder vom hin und her zwischen herz und hirn german edition ebook kuhlmann lena □□□□ □□□□

psyche wikipedia - Jun 23 2022

web psyche die psyche altgriechisch ψυχή seele schmetterling bezeichnet die gesamtheit aller geistigen eigenschaften und

persönlichkeitsmerkmale eines

*psyche hat doch jeder vom hin und her zwischen herz und* - Aug 06 2023

web aug 3 2018 hat doch jeder von lena kuhlmann ist ein gelungenes sachbuch das über psychische krankheiten aber vor allem die arbeit eines therapeuten aufklärt eine

**psyche hat doch jeder vom hin und her zwischen herz und hirn** - Jan 31 2023

web doch wie entsteht eigentlich ein seelisches ungleichgewicht was ist dann zu tun und was ist das überhaupt genau diese psyche psychotherapeutin und bloggerin lena

**psyche hat doch jeder vom hin und her zwischen he 2022** - Feb 17 2022

web 1914 vom beginn des jahres 1915 bis zum eintritt italiens in den krieg magazin für die literatur des auslandes deutsche national litteratur psyche hat doch jeder vom hin

zusammenfassung von psyche hat doch jeder blinkist - May 03 2023

web hat doch jeder erfährst du wie psychische störungen entstehen und warum sie mitunter so schwer greifbar sind wir berichten wie die psychologie zum forschungsfeld wurde

**psyche hat doch jeder by lena kuhlmann audible com** - Apr 02 2023

web psyche hat doch jeder vom hin und her zwischen herz und hirn by lena kuhlmann narrated by susanne grawe length 5 hrs and 42 mins

*psyche hat doch jeder vom hin und her zwischen* - Oct 08 2023

web aug 3 2018 psyche hat doch jeder vom hin und her zwischen herz und hirn wie man depressionen besser erkennt kuhlmann lena isbn 9783959101509

psyche hat doch jeder vom hin und her zwischen he pdf - Apr 21 2022

web mar 8 2023 favored ebook psyche hat doch jeder vom hin und her zwischen he collections that we have this is why you remain in the best website to look the amazing

**psyche hat doch jeder vom hin und her zwischen herz und** - Jul 05 2023

web psyche hat doch jeder vom hin und her zwischen herz und hirn wie man depressionen besser erkennt kuhlmann lena amazon com tr kitap

*psyche hat doch jeder vom hin und her zwischen herz und* - Mar 01 2023

web von der aufklärung wie es in psychiatrischen einrichtungen heute zugeht und praktischen tipps um die psyche in schuss zu halten bis hin zu anekdoten und spannende

*psyche hat doch jeder vom hin und her zwischen herz und hirn* - Dec 18 2021

web psyche hat doch jeder vom hin und her zwischen herz und hirn hörbuch download lena kuhlmann susanne grawe audible

studios amazon de bücher

**11 bücher über psychische erkrankungen selfapy** - Aug 26 2022

web sep 21 2018 1 psyche hat doch jeder vom hin und her zwischen herz und hirn von lena kuhlmann 2 rattatatam mein herz mein leben mit der angst von

**psyche hat doch jeder vom hin und her zwischen he pdf** - May 23 2022

web mar 8 2023 psyche hat doch jeder vom hin und her zwischen he 1 6 downloaded from uniport edu ng on march 8 2023 by guest psyche hat doch jeder vom hin und

**psyche hat doch jeder von lena kuhlmann ebooks orell füssli** - Dec 30 2022

web jetzt online bestellen heimlieferung oder in filiale psyche hat doch jeder vom hin und her zwischen herz und hirn von lena kuhlmann orell füssli der buchhändler

**psyche hat doch jeder vom hin und her zwischen he** - Mar 21 2022

web jun 8 2023 psyche hat doch jeder vom hin und her zwischen he recognizing the pretension ways to acquire this ebook psyche hat doch jeder vom hin und her

psyche hat doch jeder vom hin und her zwischen herz und hirn - Sep 26 2022

web german de pdf 2 2mb psyche hat doch jeder vom hin und her zwischen herz und hirn eden books ein verlag der edel germany gmbh 2020 lena kuhlmann

*psyche hat doch jeder vom hin und her zwischen he copy* - Jan 19 2022

web psyche hat doch jeder vom hin und her zwischen he 1 6 downloaded from uniport edu ng on april 26 2023 by guest psyche hat doch jeder vom hin und her